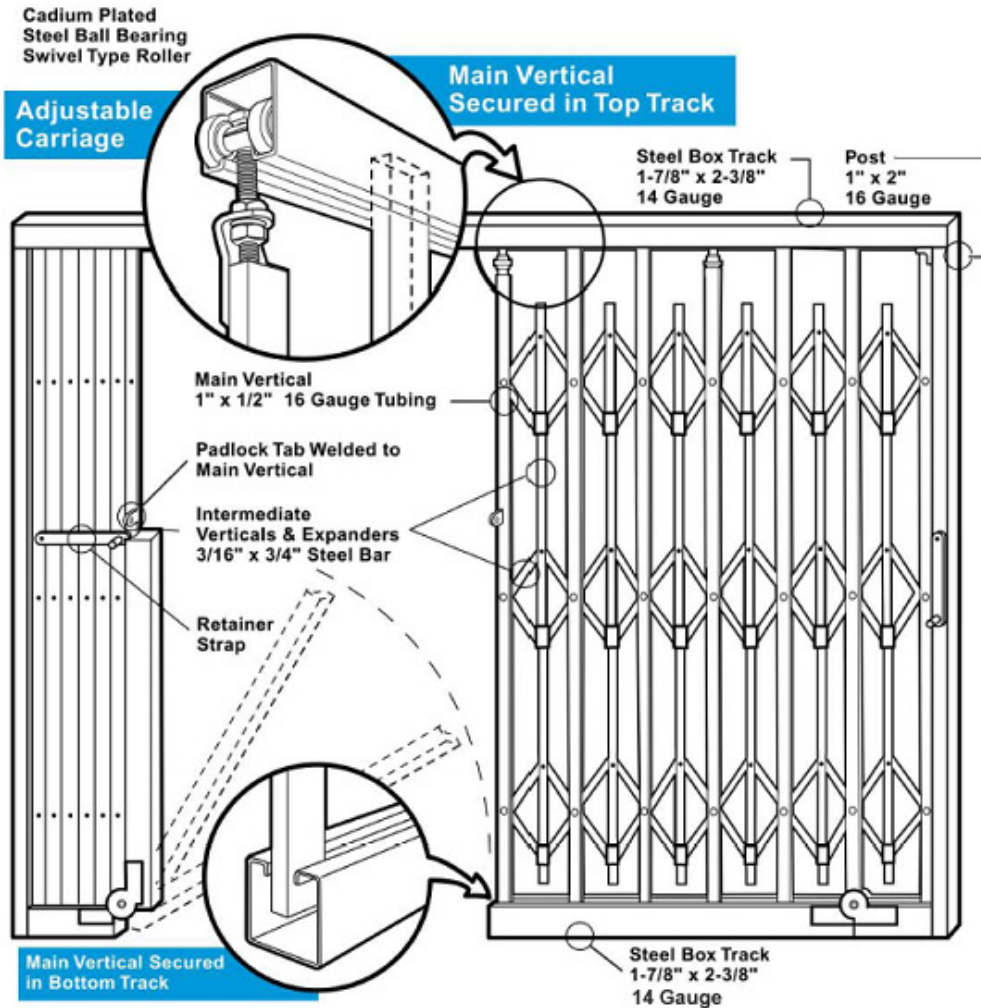
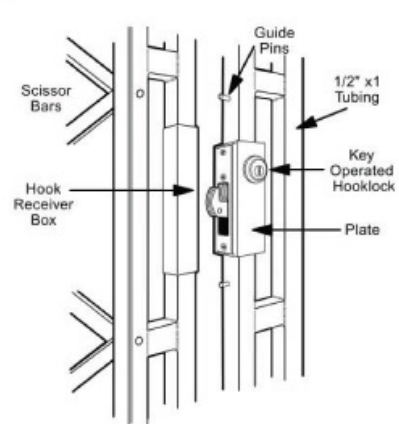
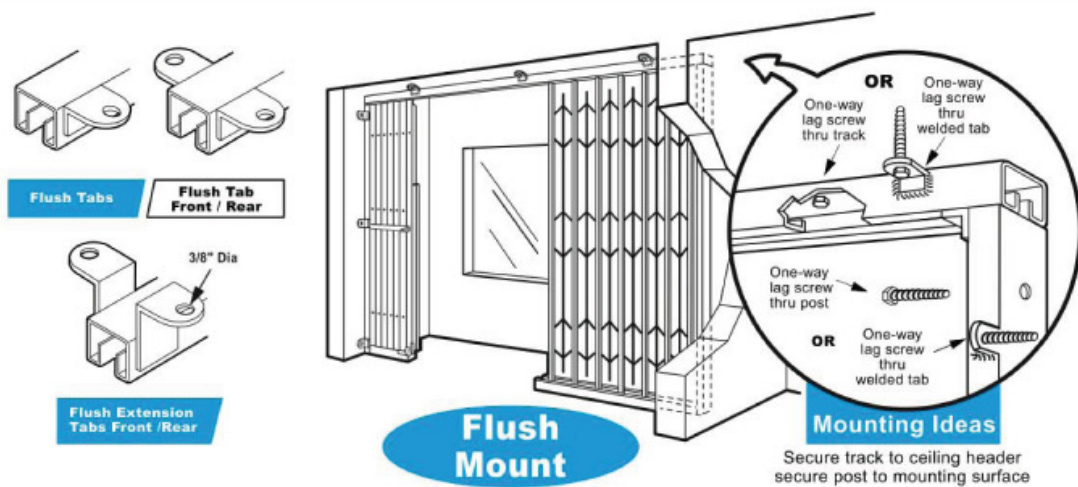
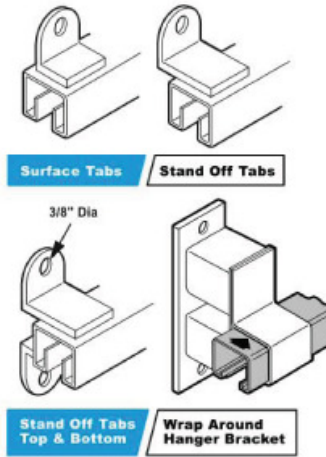
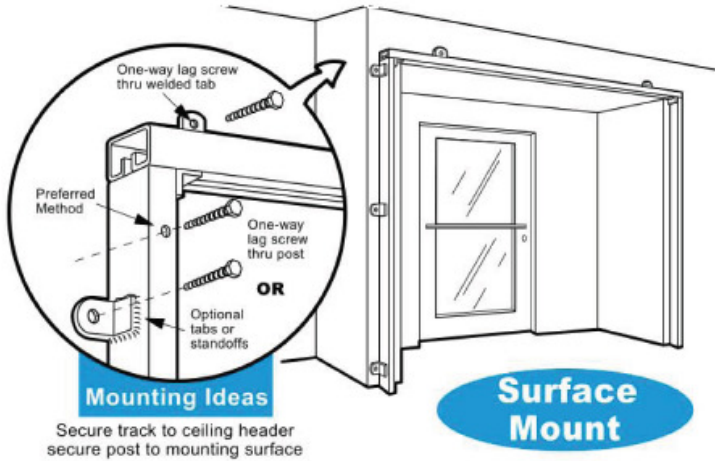


# **WACO** A/C FOLDING GATES

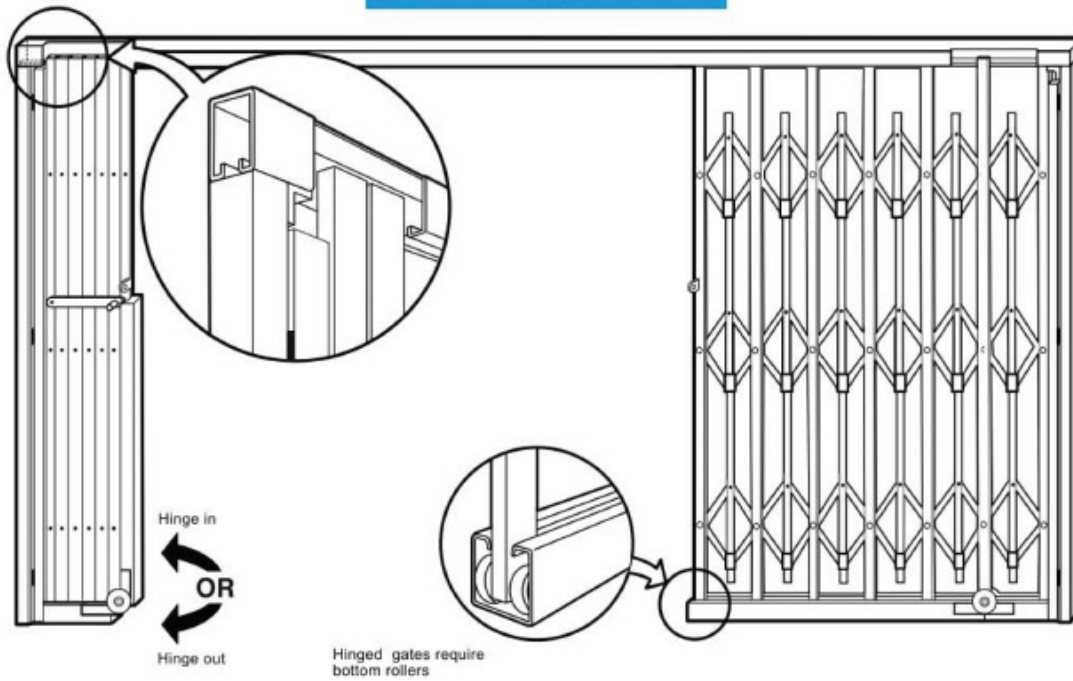
1374 East 9th Street • Pomona, California 91766 • Telephone (909) 629-3026  
• Fax (909) 629-0852

## **Max-Guard Security Gates**

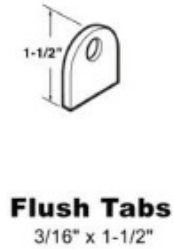
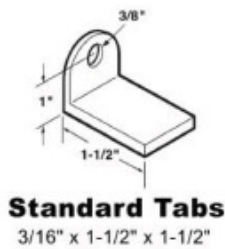




**Optional Hinged Feature**



**Loose Tabs**



**Measuring Information**

|  |   |
|--|---|
| <p><b>To Order:</b><br/>                 Specify overall net height and width dimensions in inches</p> | <p style="text-align: center;"><b>Stacked Gate Dimensions</b></p> <p>Post Requires 1"</p> <p>Each Main vertical Tube Requires 1-1/16"</p> <p>Folded Track Requires 2-3/8"</p> |
|--|---|