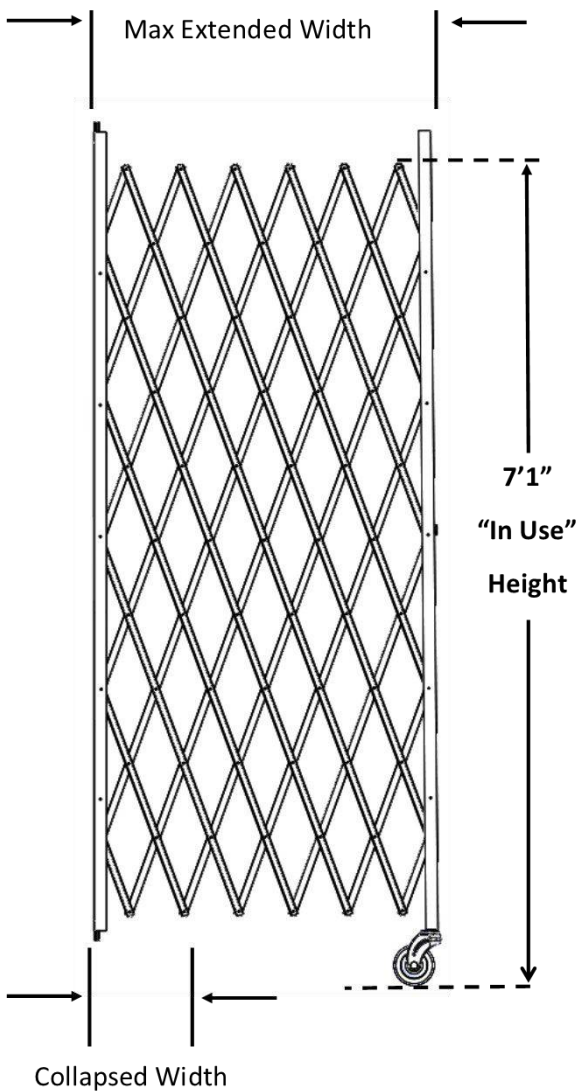


# 8' Gate Sizes (Collapsed Height)

(7'1" lattice height when in use & fully extended)

## Single Gates



| Width | Part # | Max Extended Width * | Collapsed Width |
|-------|--------|----------------------|-----------------|
| 4'    | 1-8S   | 4'6"                 | 7-1/2"          |
| 5'    | 2-8S   | 5'1"                 | 8-1/4"          |
| 5'6"  | 3-8S   | 5'9"                 | 9"              |
| 6'    | 4-8S   | 6'4"                 | 9-3/4"          |
| 6'6"  | 5-8S   | 7'                   | 10-1/4"         |
| 7'    | 6-8S   | 7'8"                 | 11"             |
| 8'    | 7-8S   | 8'3"                 | 12-1/4"         |
| 8'6"  | 8-8S   | 8'10"                | 12-3/4"         |
| 9'    | 9-8S   | 9'6"                 | 13-1/2"         |
| 10'   | 10-8S  | 10'2"                | 14-1/4"         |
| 10'6" | 11-8S  | 10'10"               | 15"             |
| 11'   | 12-8S  | 11'6"                | 15-3/4"         |
| 12'   | 13-8S  | 12'2"                | 16-1/2"         |
| 12'6" | 14-8S  | 12'9"                | 17-1/4"         |
| 13'   | 15-8S  | 13'6"                | 18"             |

\*"Max Extended Width" is the maximum width to which the gate will stretch.