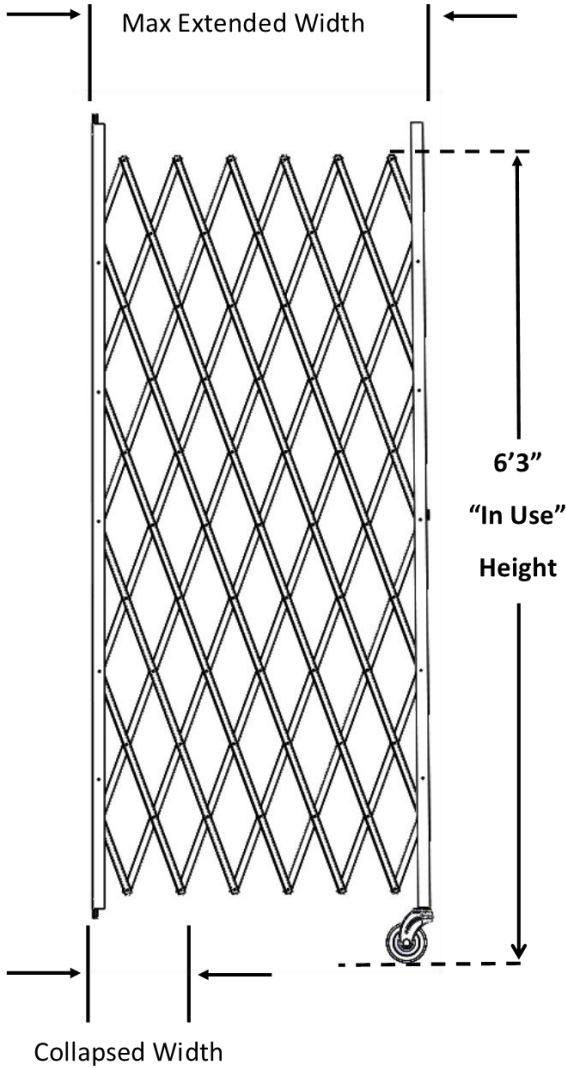


# 7' Gate Sizes (Collapsed Height)

(6'3" lattice height when in use & fully extended)

## Single Gates



Width	Part #	Max Extended Width *	Collapsed Width
4'	2-7S	4'6"	7-3/4"
4'6"	3-7S	5'1"	8-1/2"
5'	4-7S	5'8"	9-1/4"
6'	5-7S	6'4"	10"
6'6"	6-7S	7'	10-7/8"
7'	7-7S	7'8"	11-1/2"
8'	8-7S	8'3"	12"
8'6"	9-7S	8'10"	12-3/4"
9'	10-7S	9'5"	13-1/2"
10'	11-7S	10'1"	14-1/4"
10'6"	12-7S	10'8"	15"
11'	13-7S	11'6"	15-3/4"
12'	14-7S	12'5"	16-1/2"

\*"Max Extended Width" is the maximum width to which the gate will stretch.