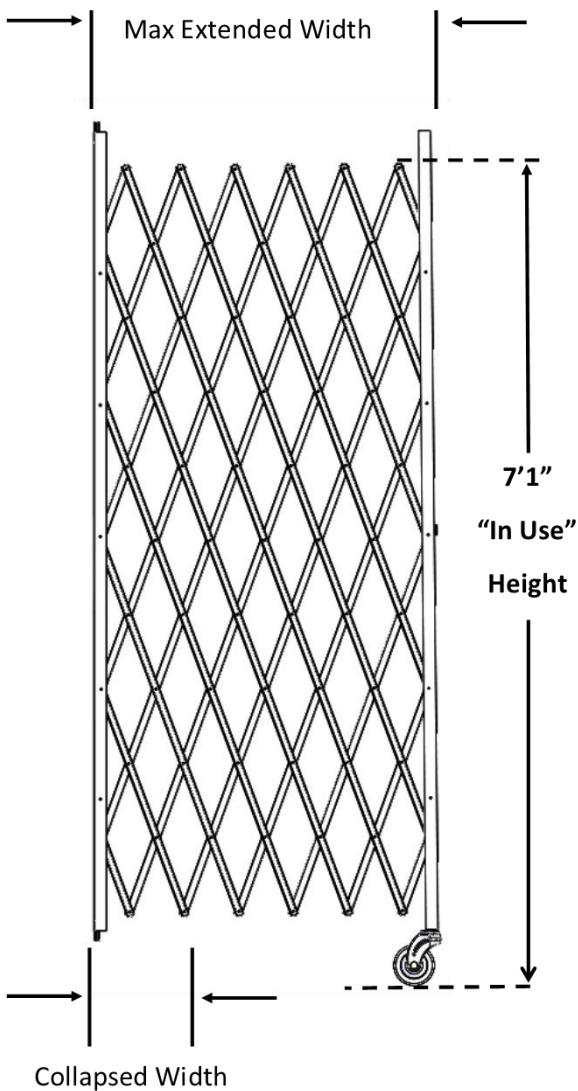


8' Gate Sizes (Collapsed Height)

(7'1" lattice height when in use & fully extended)

Single Gates



Width	Part #	Max Extended Width *	Collapsed Width
4'	1-8S	4'6"	7-1/2"
5'	2-8S	5'1"	8-1/4"
5'6"	3-8S	5'9"	9"
6'	4-8S	6'4"	9-3/4"
6'6"	5-8S	7'	10-1/4"
7'	6-8S	7'8"	11"
8'	7-8S	8'3"	12-1/4"
8'6"	8-8S	8'10"	12-3/4"
9'	9-8S	9'6"	13-1/2"
10'	10-8S	10'2"	14-1/4"
10'6"	11-8S	10'10"	15"
11'	12-8S	11'6"	15-3/4"
12'	13-8S	12'2"	16-1/2"
12'6"	14-8S	12'9"	17-1/4"
13'	15-8S	13'6"	18"

**"Max Extended Width" is the maximum width to which the gate will stretch.